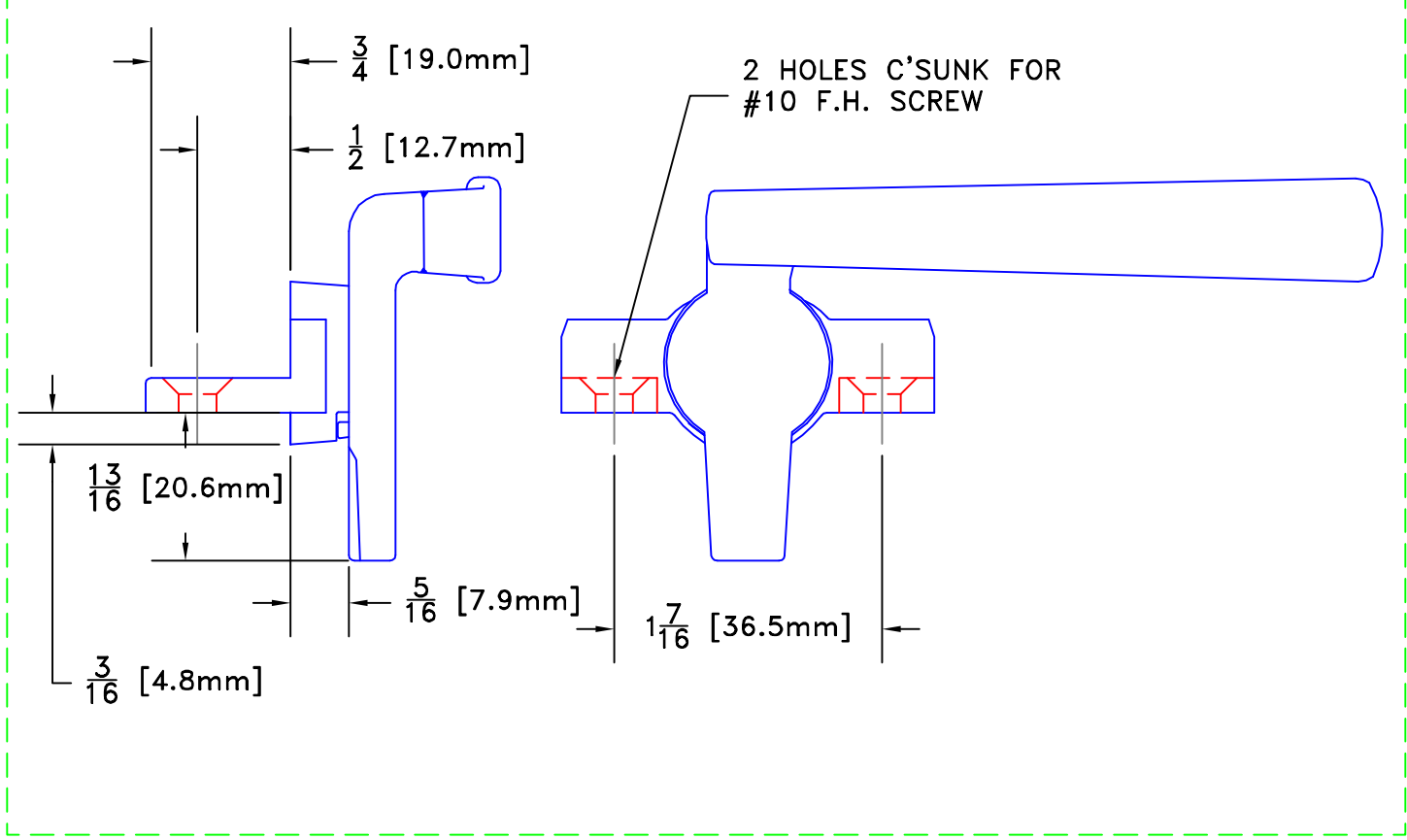


DO NOT USE FOR PRODUCTION

Rev	CHANGE	Date
A	EST'B DRAWING FOR CATALOG	7/10/08



DESCRIPTION  
**HANDLE**

DRAWN BY **IDG** 7/10/08

APPROVED BY **IDG** 7/10/08

**BRONZE CRAFT**  
CATALOG DRAWING

INTELLECTUAL PROPERTY NOTICE:  
THIS DRAWING AND THE DESIGN REPRESENTED HEREIN ARE THE INTELLECTUAL PROPERTY OF THE BRONZE CRAFT CORPORATION, NASHUA, NH, USA.  
REPRODUCTION OF THIS DOCUMENT OR THE DESIGN DEPICTED HEREIN, WITHOUT EXPRESS WRITTEN CONSENT OF THE BRONZE CRAFT CORPORATION IS PROHIBITED.  
© 2005

TOLERANCES UNLESS OTHERWISE SPECIFIED:  
MACHINED FEATURES FRAC ± 1/64  
DECIMAL XX ± .01  
XXX ± .005  
ANGULAR ± 1°  
HOLE DIA. +.003/- .002

**THE BRONZE CRAFT CORP.**  
NASHUA, N.H.

B/C ITEM NUMBER  
**166 010**

CONSISTANT WITH PRODUCTION REV. **F**

DO NOT USE FOR PRODUCTION