

BRONZE CRAFT

STERLING HINGES

OFFSET MOUNTING



*Smoothness of operation...
with the beauty & strength
of stainless steel...*

- Tested to AAMA 904.1 standard.
- Stainless steel slide mechanism.
- Stainless steel rivets with thermo-plastic resin washers between links.
- Most sizes readily available from stock.
- Stainless steel adjustable limit stop (Projected hinges only).
- Engineered geometry to balance sash for ease of operation.

WHY USE AN ASYMMETRIC END CAP?

This proven asymmetric locating system on the Offset Sterling hinge uses the full width of the vent arm to ensure accurate collection of the vent.



This means that the end point on the vent arm is collected earlier than on conventional symmetrical hinges and prevents the natural window geometry from forcing the vent point outside the end cap into a failed position.



This then ensures that the end point is firmly directed towards the closed position. The unique thermoplastic end point and stainless steel cap are self-lubricating providing smoother operation and longer life.



The positive fit of the Offset Sterling end point in the end cap helps to provide a weather-tight seal for the window.



PROJECTED

Part Number	Hinge Size	Sash Height				Sash Weight		Limit Stop Angle Min.	Opening Angle Max.	Min. Pack
		(Inches)		(MM)		(Lbs.) Max.	(Kgs.) Max.			
851-071-8046	10"	10.5	25.0	266.7	635.0	82.0	37.2	15°	50°	25 pr.
851-072-8046	10" Shim*	10.5	25.0	266.7	635.0	82.0	37.2	15°	50°	25 pr.
851-073-8046	12"	25.0	31.0	635.0	787.4	99.0	45.0	11°	50°	25 pr.
851-074-8046	12" Shim*	25.0	31.0	635.0	787.4	99.0	45.0	11°	50°	25 pr.
851-075-8046	16"	31.0	43.0	787.4	1092.2	121.0	55.0	9°	50°	25 pr.
851-076-8046	16" Shim*	31.0	43.0	787.4	1092.2	121.0	55.0	9°	50°	25 pr.
851-077-8046	22"	43.0	59.0	1092.2	1498.6	165.0	75.0	7°	45°	20 pr.
851-078-8046	22" Shim*	43.0	59.0	1092.2	1498.6	165.0	75.0	7°	45°	20 pr.
851-079-8046	26"	59.0	79.0	1498.6	2006.6	220.0	100.0	4°	20°	10 pr.
851-080-8046	26" Shim*	59.0	79.0	1498.6	2006.6	220.0	100.0	4°	20°	10 pr.

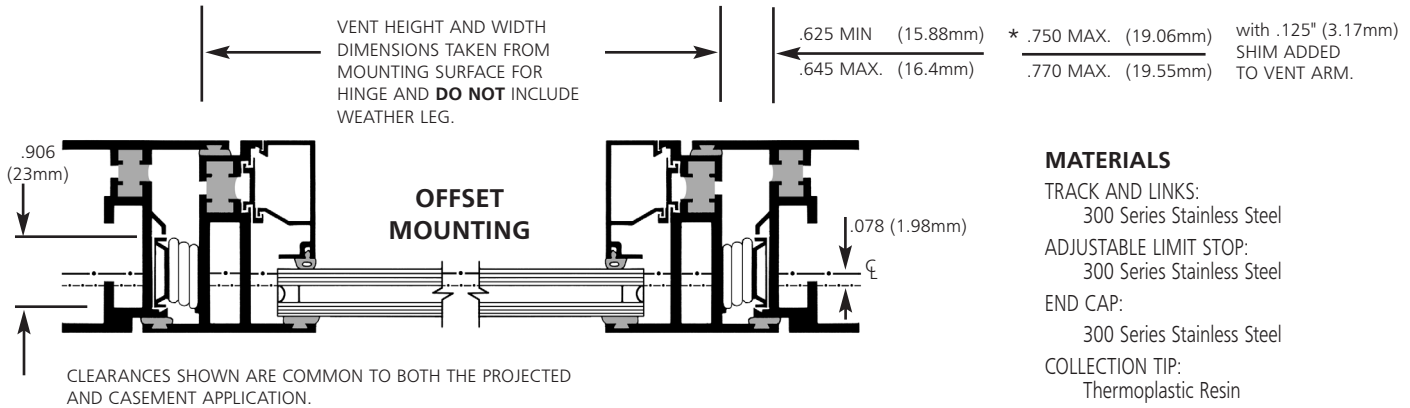
* .125 (3.17mm) Shim added to vent arm.

CASEMENT

Part Number	Hinge Size	Sash Width				Sash Weight		Opening Angle Max.	Min. Pack
		(Inches)		(MM)		(Lbs.) Max.	(Kgs.) Max.		
851-081-8046	10"	10.5	26.0	266.7	660.4	84.0	38.1	85°	25 pr.
851-082-8046	10" Shim*	10.5	26.0	266.7	660.4	84.0	38.1	85°	25 pr.
851-083-8046	16"	16.5	33.0	419.1	838.2	103.0	46.8	90°	25 pr.
851-084-8046	16" Shim*	16.5	33.0	419.1	838.2	103.0	46.8	90°	25 pr.

* .125 (3.17mm) Shim added to vent arm.

NOTE: WE RESERVE THE RIGHT TO ALTER SPECIFICATIONS IN FURTHERING OUR POLICY OF CONTINUAL PRODUCT IMPROVEMENT.
IMPORTANT: UNDER NO CIRCUMSTANCES SHOULD THE SIZE OR WEIGHT OF SASH EXCEED THE STATED CAPACITY OF THE HINGE.



MATERIALS

TRACK AND LINKS:

300 Series Stainless Steel

ADJUSTABLE LIMIT STOP:

300 Series Stainless Steel

END CAP:

300 Series Stainless Steel

COLLECTION TIP:

Thermoplastic Resin

SLIDE MECHANISM:

300 Series Stainless Steel

(incorporates a concealed thermoplastic resin wear strip)

RIVETS:

300 Series Stainless Steel

WASHERS:

Thermoplastic Resin

FRICTION ADJUSTING SCREW:

300 Series Stainless Steel

securistyle[®]

Innovation in Window Hardware

Patent Nos.
US PATENT #4889852-4718144
UK PATENT #2133074-2133458

DISTRIBUTED BY:

BRONZE CRAFT

COPYRIGHT © 2004

www.bronzecraft.com

37 WILL ST., P.O. BOX 788

NASHUA, NH 03061-0788

800-488-7747

TEL: 603-883-7747 FAX: 603-883-0222

EMAIL: bronze@bronzecraft.com