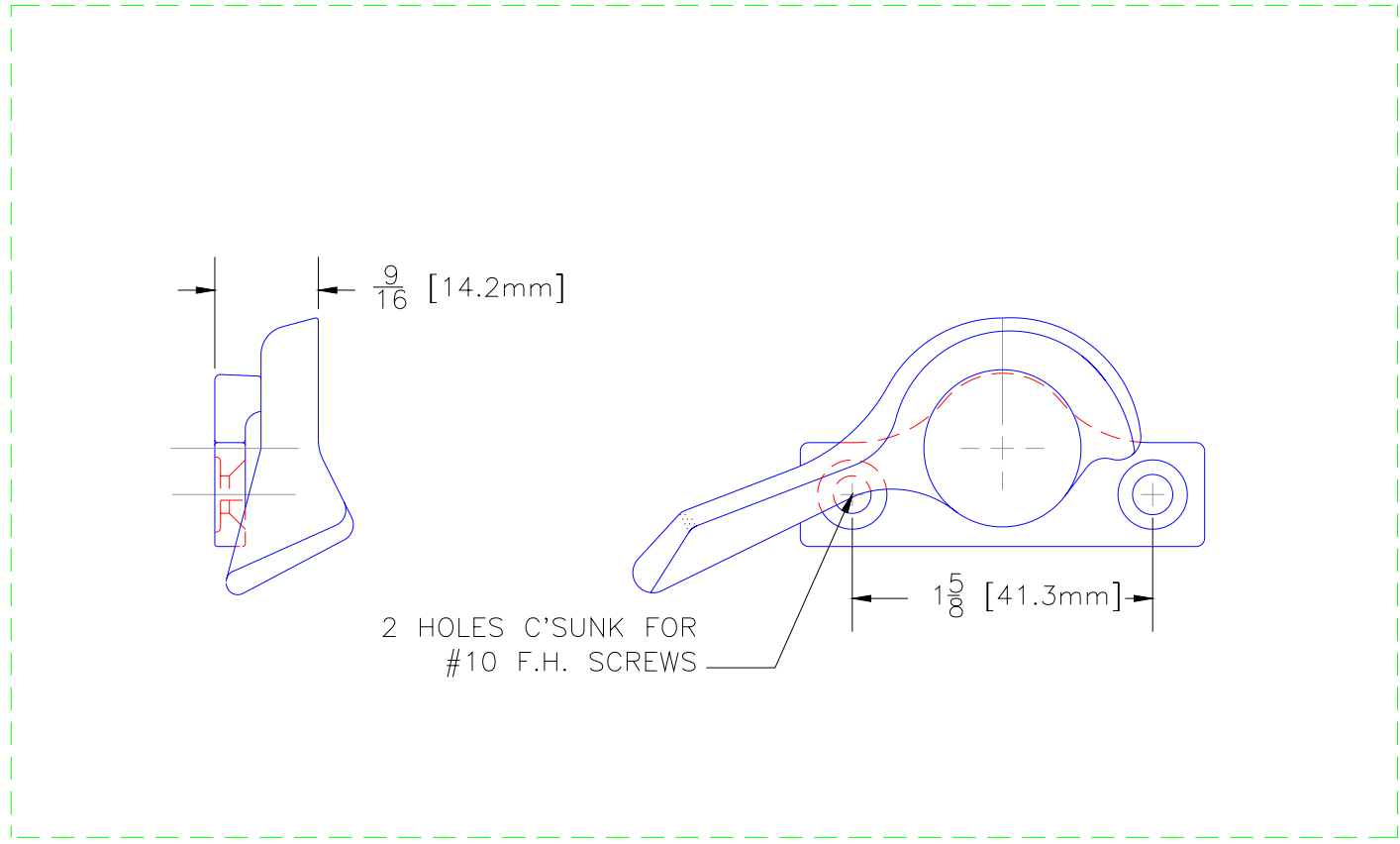


ORIGINAL

DO NOT USE FOR PRODUCTION

DO NOT USE FOR PRODUCTION

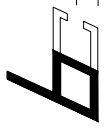
|     |                           |        |
|-----|---------------------------|--------|
| Rev | CHANGE                    | Date   |
| A   | EST'B DRAWING FOR CATALOG | 9/1/06 |
|     |                           |        |



|                              |       |        |
|------------------------------|-------|--------|
| DESCRIPTION                  | SWEEP |        |
| DRAWN BY                     | GAG   | 9/1/06 |
| APPROVED BY                  | GAG   | 9/1/06 |
| BRONZE CRAFT CATALOG DRAWING |       |        |

INTELLECTUAL PROPERTY NOTICE. THIS DRAWING AND THE DESIGN REPRESENTED HEREIN ARE THE INTELLECTUAL PROPERTY OF THE BRONZE CRAFT CORPORATION, NASHUA, NH, USA. REPRODUCTION OF THIS DOCUMENT OR THE DESIGN DEPICTED HEREIN, WITHOUT EXPRESS WRITTEN CONSENT OF THE BRONZE CRAFT CORPORATION IS PROHIBITED. © 2005

TOLERANCES UNLESS OTHERWISE SPECIFIED:  
 MACHINED FEATURES  
 FRAC. ± 1/64  
 DECIMAL  
 XX ± .01  
 XXX ± .005  
 ANGULAR ± 1°  
 HOLE DIA.  
 +.003/- .002

|  |         |
|--|---------|
|  THE BRONZE CRAFT CORP.<br>NASHUA, N.H. |         |
| B/C ITEM NUMBER  | 291 012 |
| CONSTANT WITH PRODUCTION REV. C  |         |

DO NOT USE FOR PRODUCTION

DO NOT USE FOR PRODUCTION

ORIGINAL