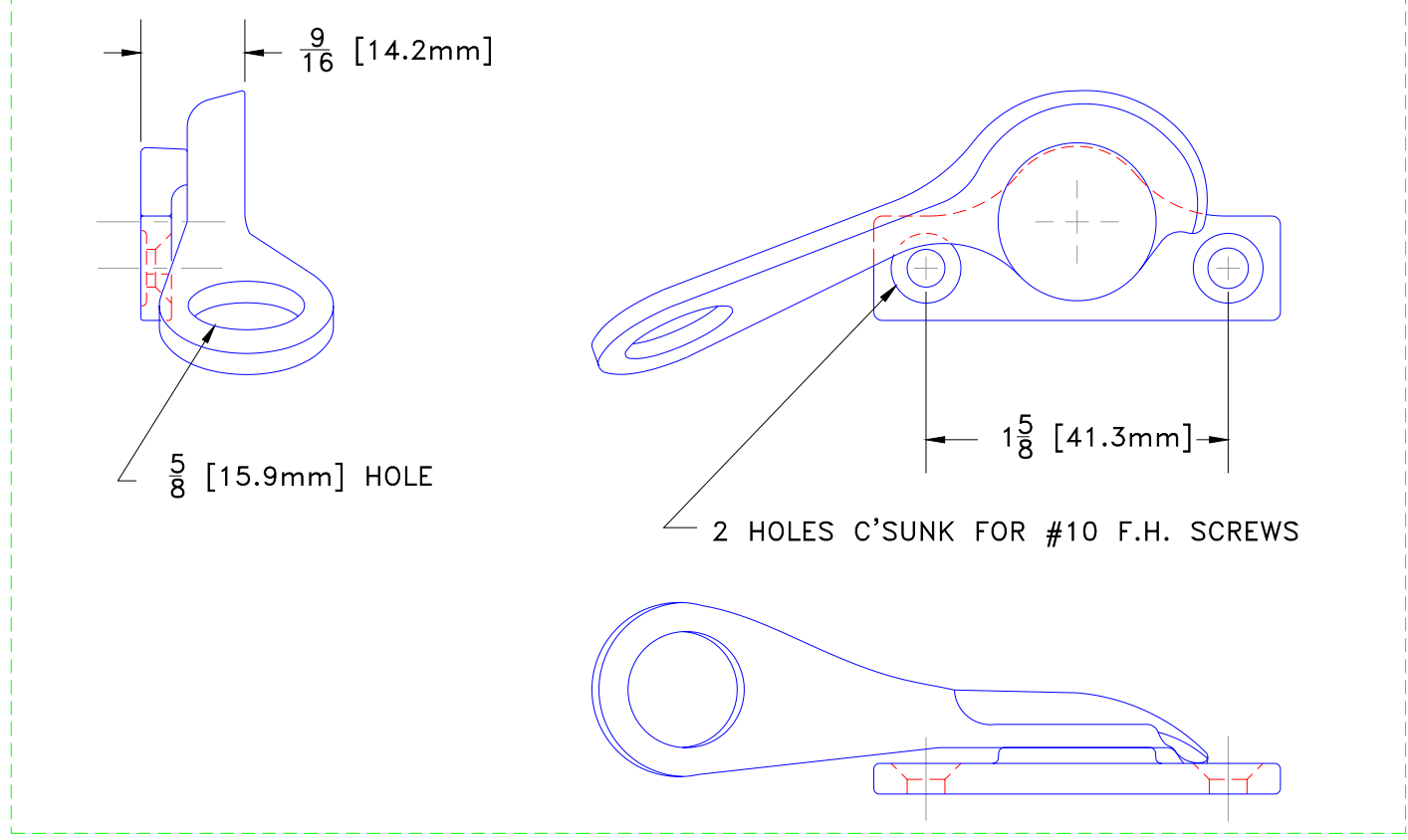


ORIGINAL

DO NOT USE FOR PRODUCTION

DO NOT USE FOR PRODUCTION

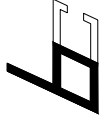
Rev	CHANGE	Date
A	EST'B DRAWING FOR CATALOG	2/1/06



DESCRIPTION	
SWEEP ASSEMBLY	
DRAWN BY	MJS 2/1/06
APPROVED BY	MJS 2/1/06
BRONZE CRAFT CATALOG DRAWING	

INTELLECTUAL PROPERTY NOTICE:
THIS DRAWING AND THE DESIGN REPRESENTED HEREIN ARE THE INTELLECTUAL PROPERTY OF THE BRONZE CRAFT CORPORATION, NASHUA, NH, USA.
REPRODUCTION OF THIS DOCUMENT OR THE DESIGN DEPICTED HEREIN, WITHOUT EXPRESS WRITTEN CONSENT OF THE BRONZE CRAFT CORPORATION IS PROHIBITED.
© 2005

TOLERANCES UNLESS OTHERWISE SPECIFIED:
MACHINED FEATURES
FRAC. 1/64
DECIMAL
XX .01
XXX .005
ANGULAR 1
HOLE DIA. +.003/- .002

 THE BRONZE CRAFT CORP. NASHUA, N.H.	
B/C ITEM NUMBER	294 001
CONSISTANT WITH PRODUCTION REV. E	

DO NOT USE FOR PRODUCTION

DO NOT USE FOR PRODUCTION

ORIGINAL