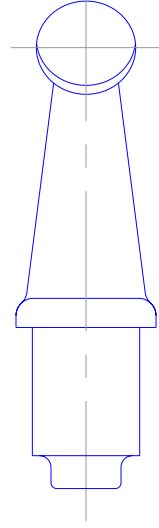
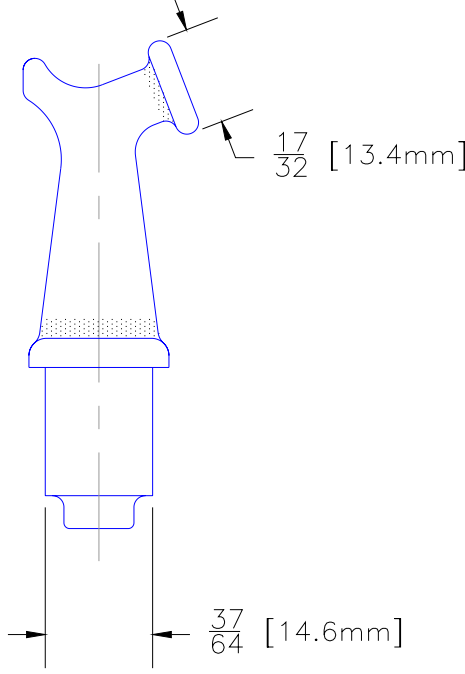


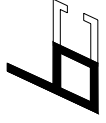
ORIGINAL

DO NOT USE FOR PRODUCTION

DO NOT USE FOR PRODUCTION

Rev	CHANGE	Date
A	EST'B DRAWING FOR CATALOG	2/6/06



DESCRIPTION HANDLE	 THE BRONZE CRAFT CORP. NASHUA, N.H.	
	TOLERANCES UNLESS OTHERWISE SPECIFIED:	B/C ITEM NUMBER
	MACHINED FEATURES FRAC. ± 1/64 DECIMAL XX ± .01 XXX ± .005 ANGULAR ± 1° HOLE DIA. +.003/- .002	232 001
INTELLECTUAL PROPERTY NOTICE. THIS DRAWING AND THE DESIGN REPRESENTED HEREIN ARE THE INTELLECTUAL PROPERTY OF THE BRONZE CRAFT CORPORATION, NASHUA, NH, USA. REPRODUCTION OF THIS DOCUMENT OR THE DESIGN DEPICTED HEREIN, WITHOUT EXPRESS WRITTEN CONSENT OF THE BRONZE CRAFT CORPORATION IS PROHIBITED. © 2005		
DRAWN BY	GAG	2/6/06
APPROVED BY	GAG	2/6/06
BRONZE CRAFT CATALOG DRAWING		
CONSTANT WITH PRODUCTION REV. D		

DO NOT USE FOR PRODUCTION

DO NOT USE FOR PRODUCTION

ORIGINAL