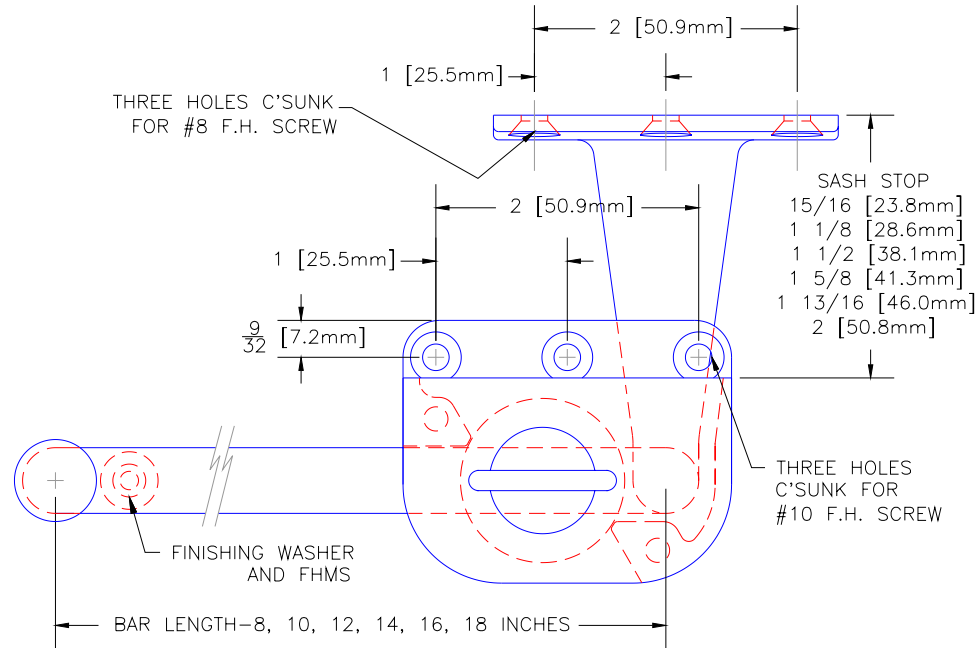
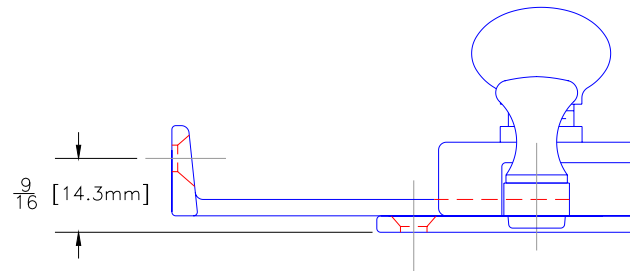
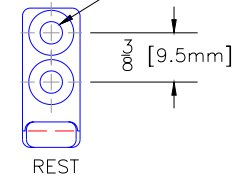


\* DO NOT USE FOR PRODUCTION \* ORIGINAL \* DO NOT USE FOR PRODUCTION \*


Rev	CHANGE	Date
A	EST'B DRAWING FOR CATALOG	1/9/06



DRILL/CSINK FOR #8 FHWS (2 PLCS)



DESCRIPTION		INTELLECTUAL PROPERTY NOTICE: THIS DRAWING AND THE DESIGN REPRESENTED HEREIN ARE THE INTELLECTUAL PROPERTY OF THE BRONZE CRAFT CORPORATION, NASHUA, NH, USA. REPRODUCTION OF THIS DOCUMENT OR THE DESIGN DEPICTED HEREIN, WITHOUT EXPRESS WRITTEN CONSENT OF THE BRONZE CRAFT CORPORATION IS PROHIBITED. © 2005
CASEMENT PUSHBAR		
DRAWN BY	CMD 1/9/06	
APPROVED BY	CMD 1/9/06	
BRONZE CRAFT CATALOG DRAWING		

TOLERANCES UNLESS OTHERWISE SPECIFIED:  MACHINED FEATURES FRAC. ± 1/64 DECIMAL XX ± .01 XXX ± .005 ANGULAR ± 1° HOLE DIA. +.003/- .002	 THE BRONZE CRAFT CORP. NASHUA, N.H.	
	B/C ITEM NUMBER	CONSISTANT WITH PRODUCTION REV.
	238 982	1