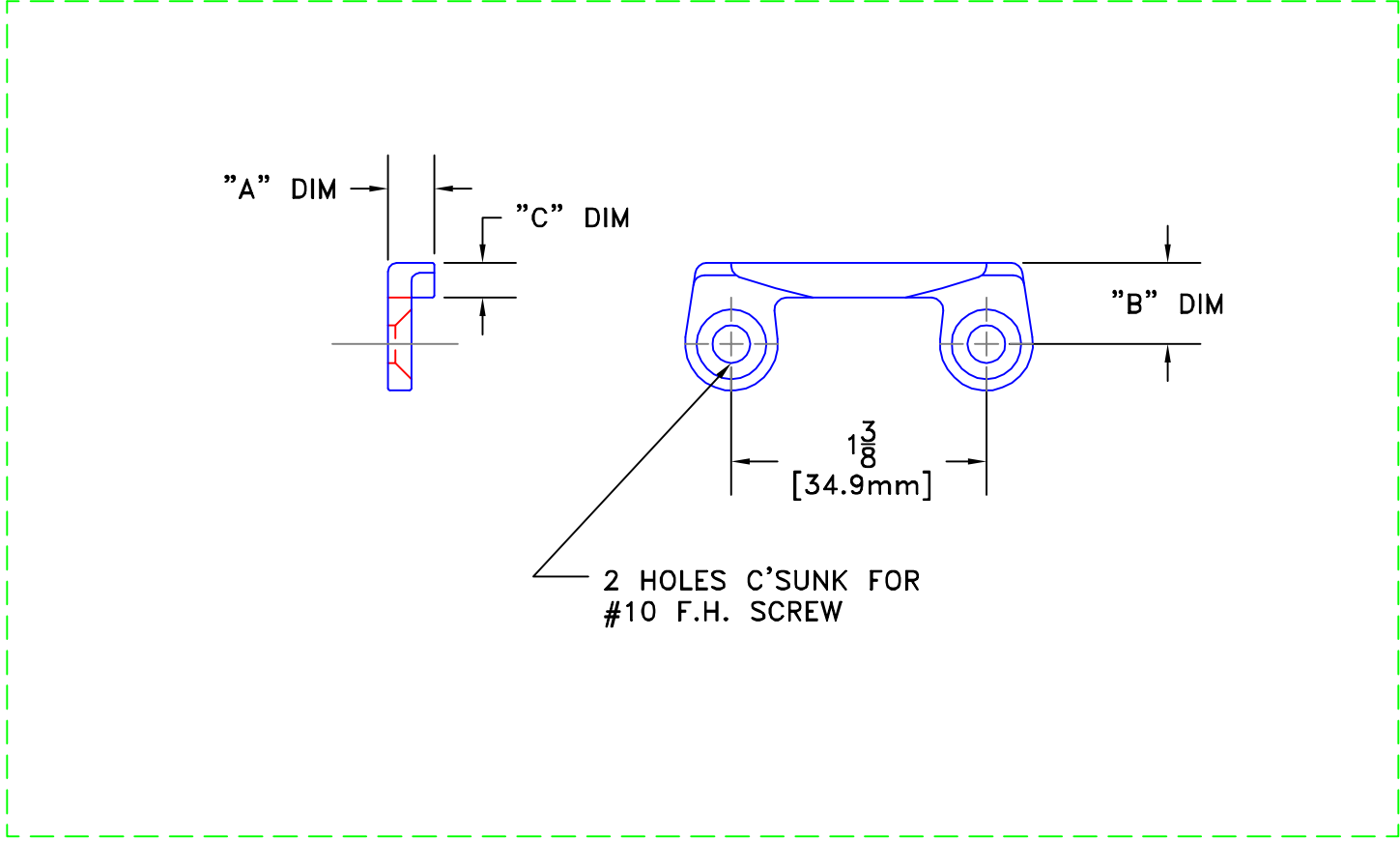


DO NOT USE FOR PRODUCTION

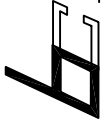
Rev	CHANGE	Date
A	EST'B DRAWING FOR CATALOG	8/31/06



DESCRIPTION	KEEPER	
DRAWN BY	GAG	8/31/06
APPROVED BY	GAG	8/31/06
BRONZE CRAFT CATALOG DRAWING		

INTELLECTUAL PROPERTY NOTICE:
THIS DRAWING AND THE DESIGN
REPRESENTED HEREIN ARE THE
INTELLECTUAL PROPERTY OF THE
BRONZE CRAFT CORPORATION,
NASHUA, NH, USA.
REPRODUCTION OF THIS
DOCUMENT OR THE DESIGN
DEPICTED HEREIN, WITHOUT
EXPRESS WRITTEN CONSENT OF
THE BRONZE CRAFT
CORPORATION IS PROHIBITED.
© 2005

TOLERANCES
UNLESS
OTHERWISE
SPECIFIED:
MACHINED
FEATURES
FRAC ± 1/64
DECIMAL
XX ± .01
XXX ± .005
ANGULAR ± 1°
HOLE DIA.
+.003/- .002



THE BRONZE CRAFT CORP.
NASHUA, N.H.

B/C ITEM NUMBER
210 001

CONSISTANT WITH
PRODUCTION REV. **C**

DO NOT USE FOR PRODUCTION