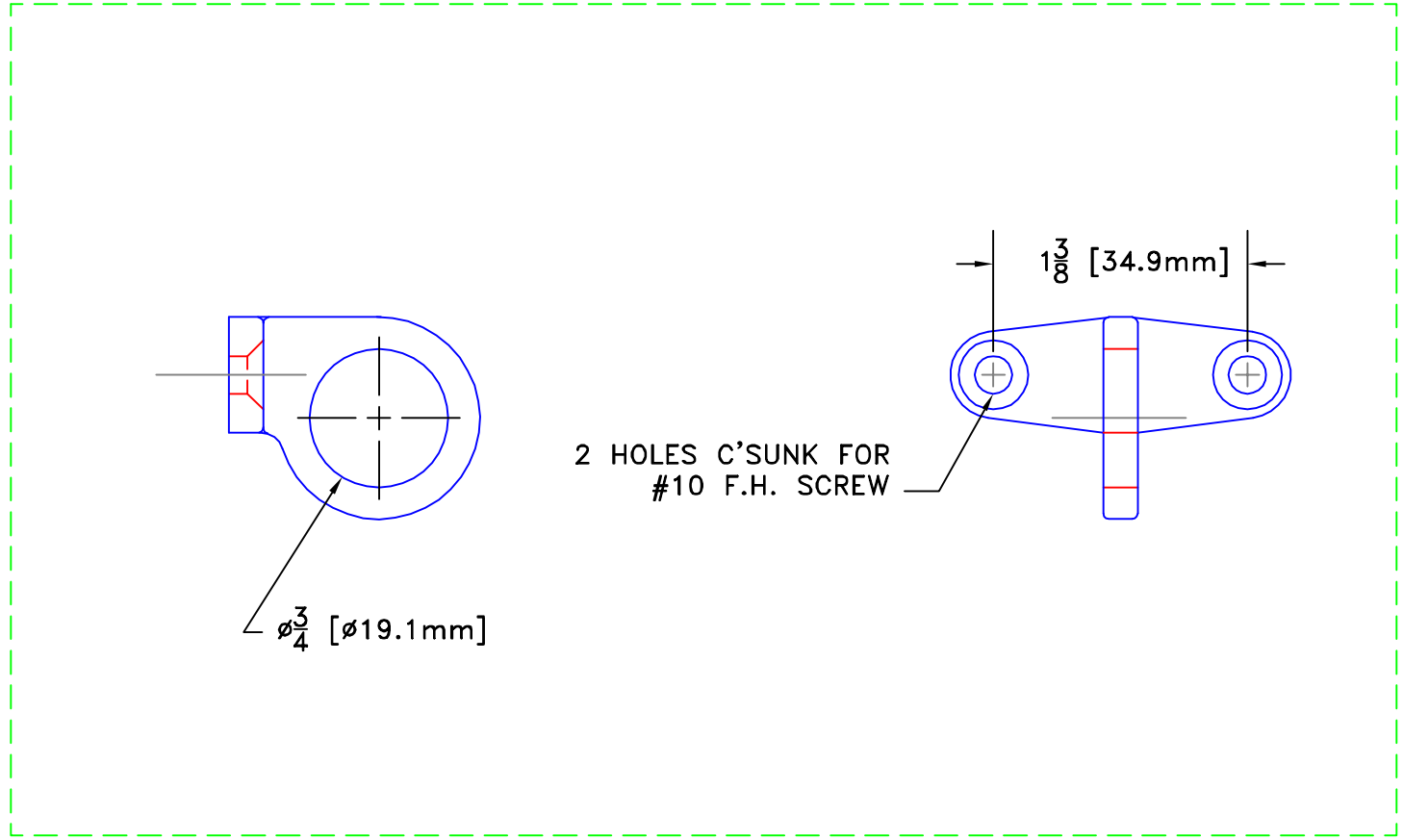


DO NOT USE FOR PRODUCTION

ORIGINAL

DO NOT USE FOR PRODUCTION

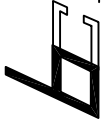
Rev	CHANGE	Date
A	EST'B DRAWING FOR CATALOG	8/31/06



DESCRIPTION	POLE RING	
DRAWN BY	GAG	8/31/06
APPROVED BY	GAG	8/31/06
BRONZE CRAFT CATALOG DRAWING		

INTELLECTUAL PROPERTY NOTICE:  
THIS DRAWING AND THE DESIGN REPRESENTED HEREIN ARE THE INTELLECTUAL PROPERTY OF THE BRONZE CRAFT CORPORATION, NASHUA, NH, USA.  
REPRODUCTION OF THIS DOCUMENT OR THE DESIGN DEPICTED HEREIN, WITHOUT EXPRESS WRITTEN CONSENT OF THE BRONZE CRAFT CORPORATION IS PROHIBITED.  
© 2005

TOLERANCES UNLESS OTHERWISE SPECIFIED:  
MACHINED FEATURES  
FRAC ± 1/64  
DECIMAL  
XX ± .01  
XXX ± .005  
ANGULAR ± 1°  
HOLE DIA.  
+.003/- .002

 <b>THE BRONZE CRAFT CORP.</b> NASHUA, N.H.	
B/C ITEM NUMBER	<b>233 001</b>
CONSISTANT WITH PRODUCTION REV. <b>F</b>	

DO NOT USE FOR PRODUCTION

ORIGINAL

DO NOT USE FOR PRODUCTION