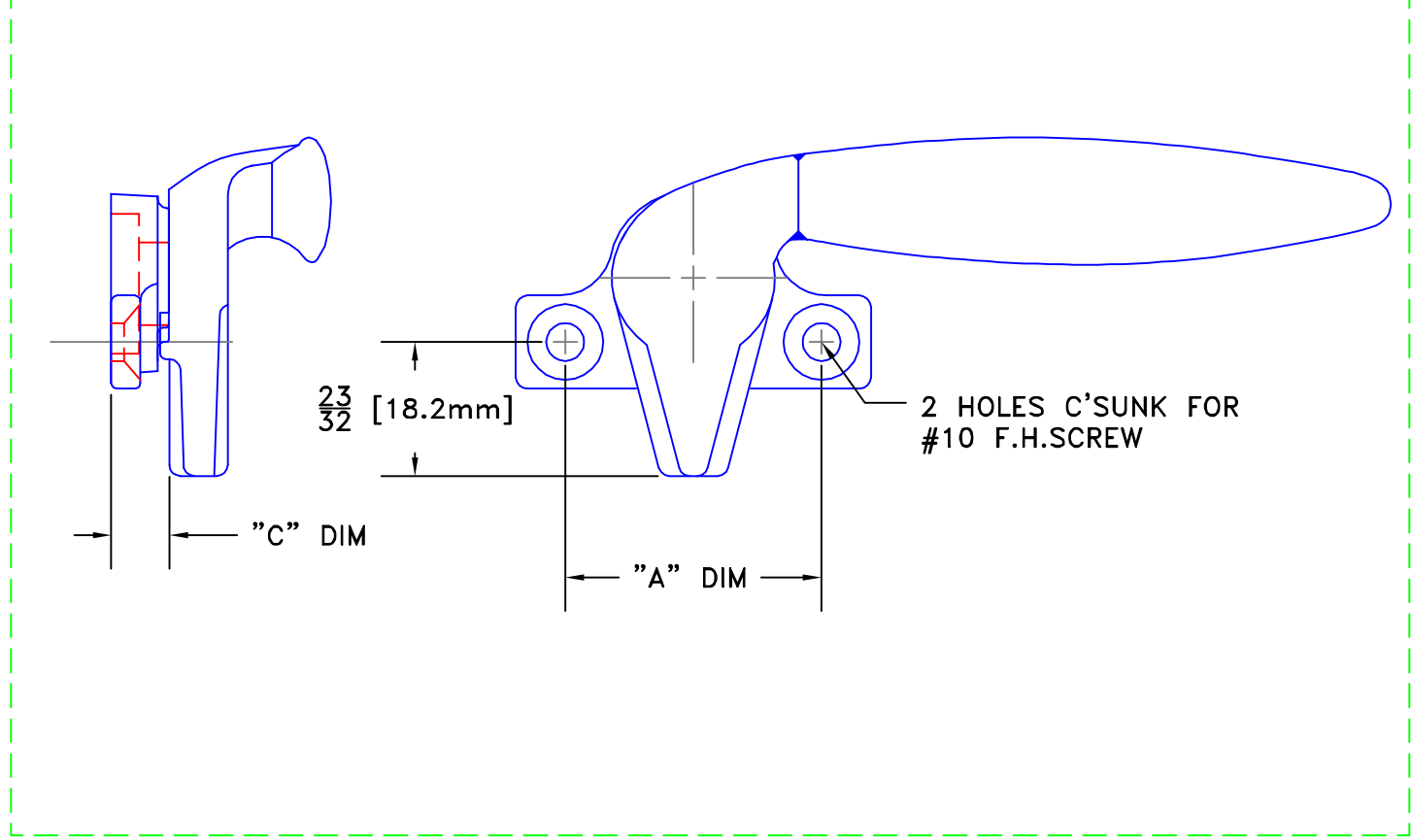


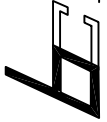
Rev	CHANGE	Date
A	EST'B DRAWING FOR CATALOG	8/30/06



DESCRIPTION	HANDLE	
	DRAWN BY GAG	8/30/06
	APPROVED BY GAG	8/30/06
BRONZE CRAFT CATALOG DRAWING		

INTELLECTUAL PROPERTY NOTICE:
THIS DRAWING AND THE DESIGN REPRESENTED HEREIN ARE THE INTELLECTUAL PROPERTY OF THE BRONZE CRAFT CORPORATION, NASHUA, NH, USA.
REPRODUCTION OF THIS DOCUMENT OR THE DESIGN DEPICTED HEREIN, WITHOUT EXPRESS WRITTEN CONSENT OF THE BRONZE CRAFT CORPORATION IS PROHIBITED.
© 2005

TOLERANCES UNLESS OTHERWISE SPECIFIED:
MACHINED FEATURES
FRAC ± 1/64
DECIMAL
XX ± .01
XXX ± .005
ANGULAR ± 1°
HOLE DIA.
+.003/- .002

 THE BRONZE CRAFT CORP. NASHUA, N.H.	
B/C ITEM NUMBER	162 001
CONSISTANT WITH PRODUCTION REV. D	